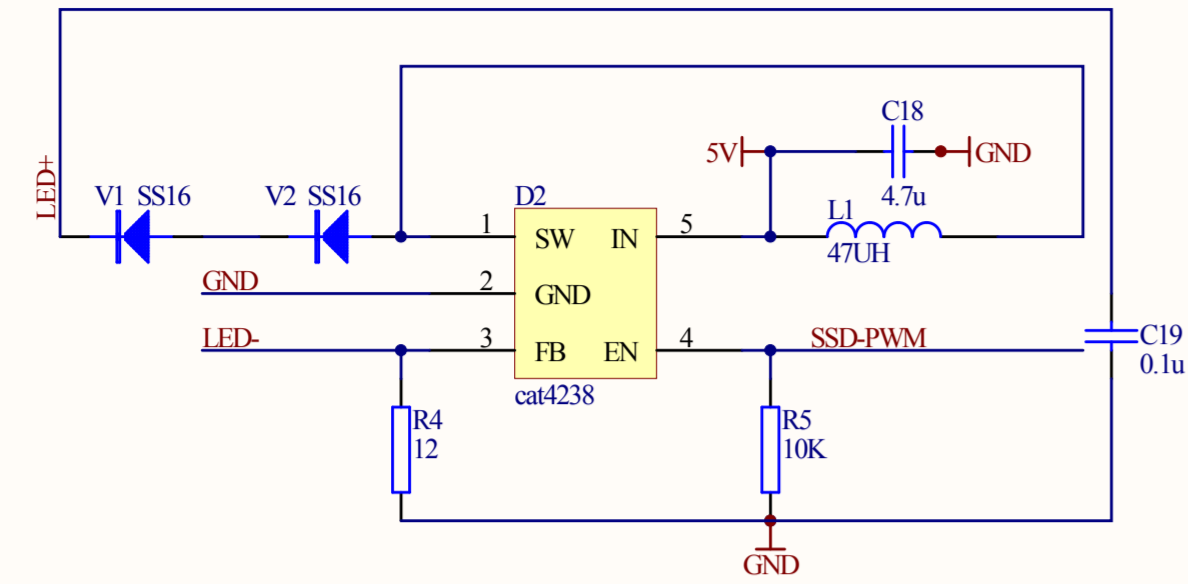
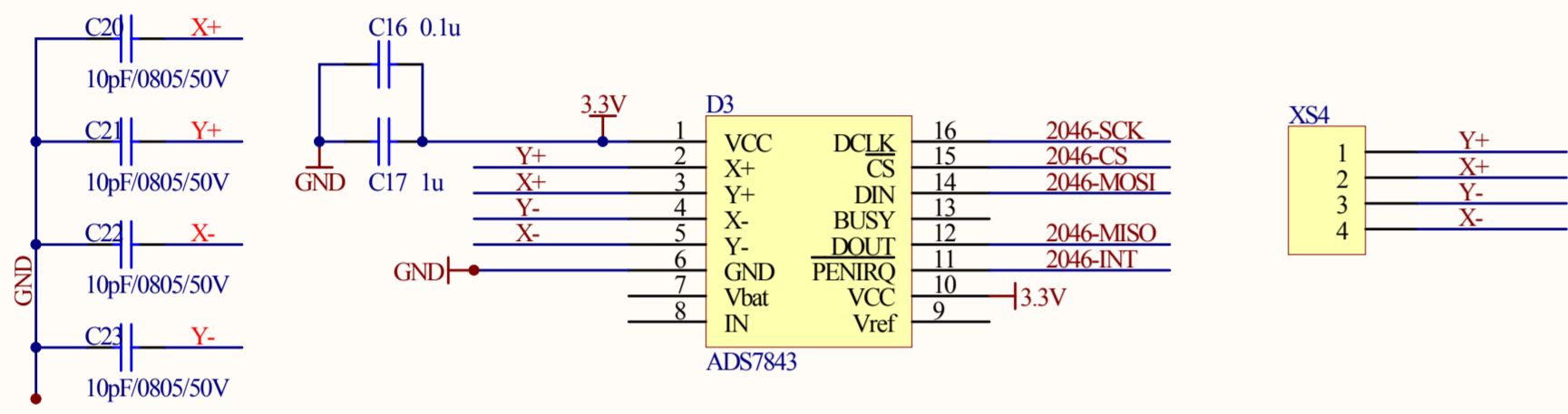


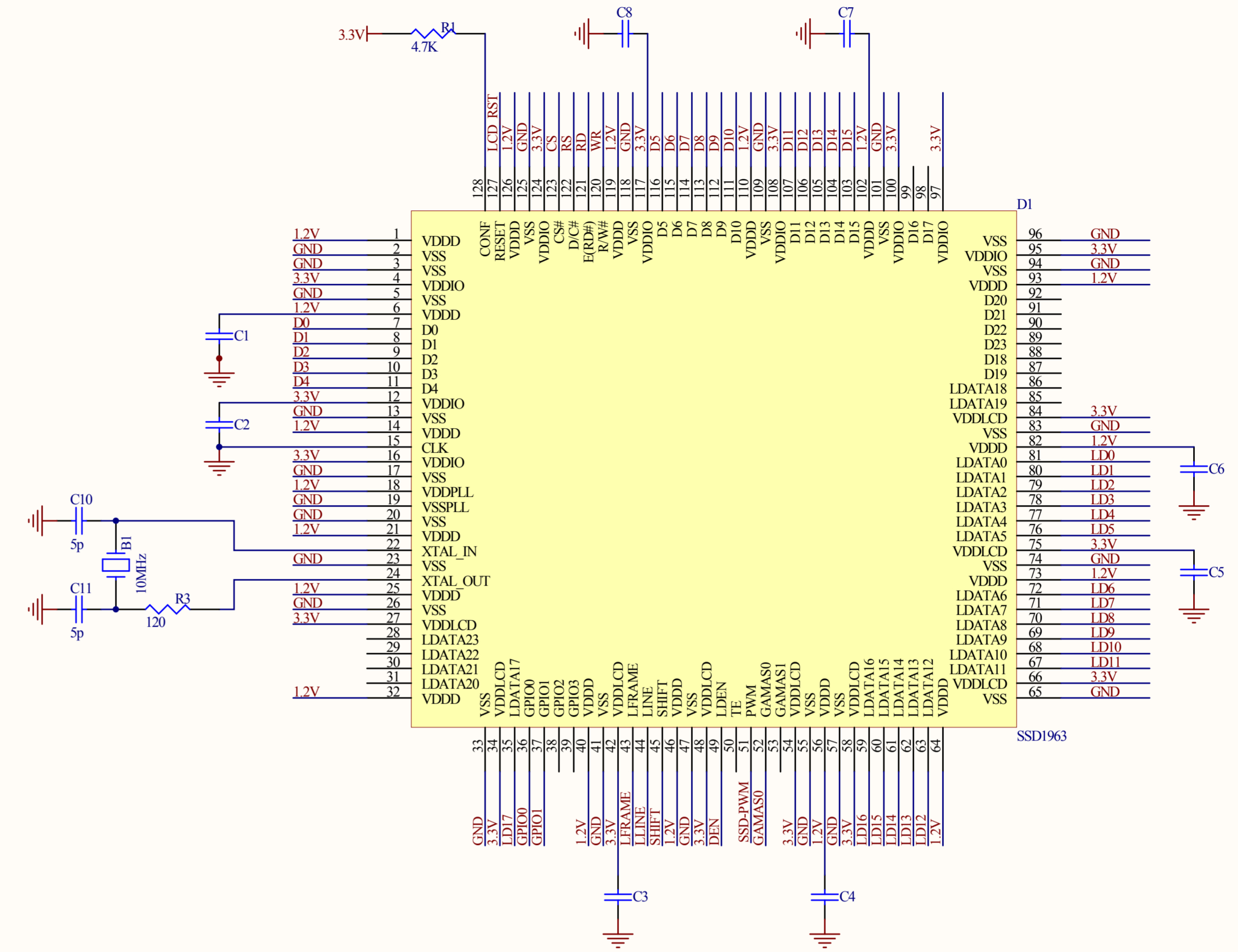
BACKLIGHT



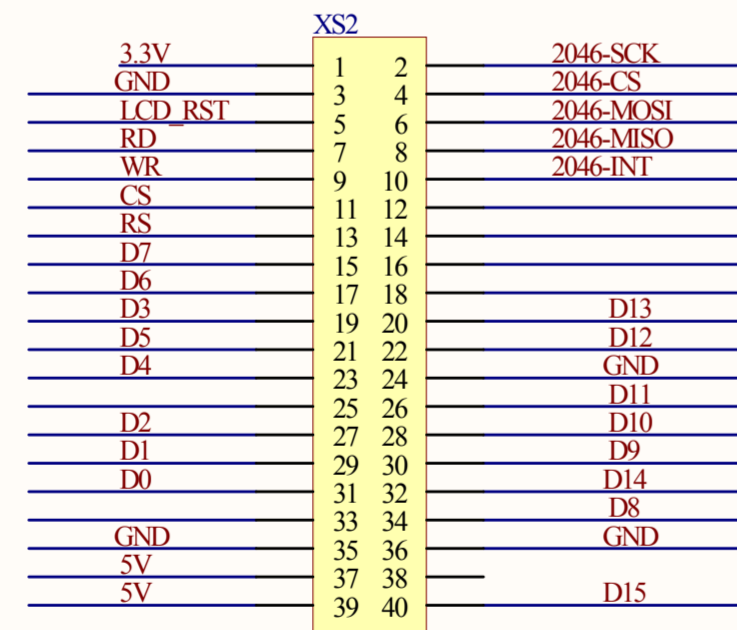
TOUCH



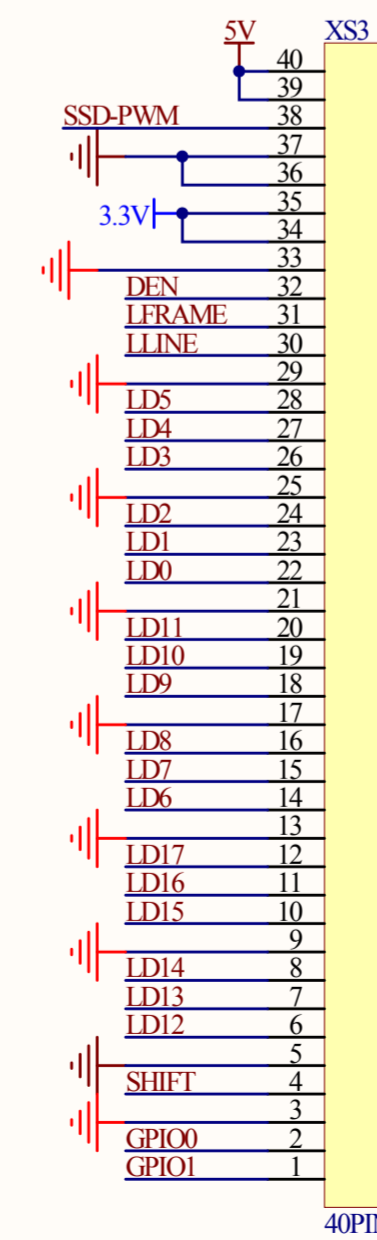
SSD1963



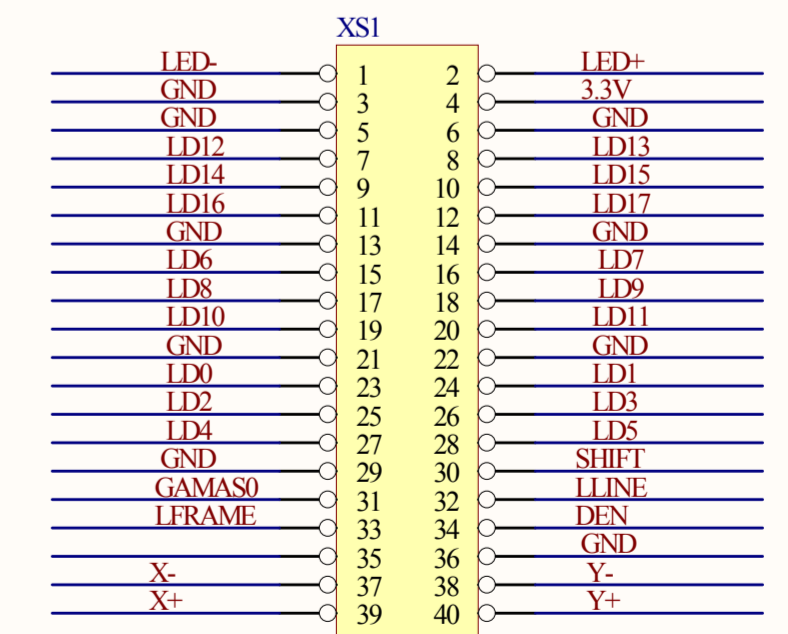
MCU-SOCKET



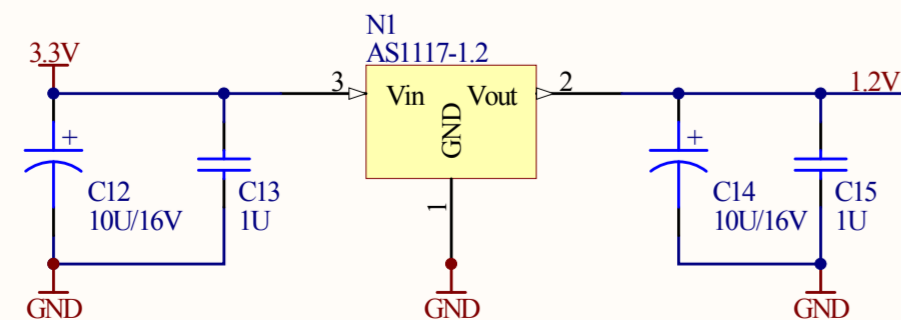
TFT-SOCKET1



TFT-SOCKET2



LDO



Title	SSD1963 Board	
Size	Number	Revision
A2		
Date:	2012-8-15	Sheet of
File:	F:\stm32\stm-fd\pcb\LCD-4.3(ty)SCHDOC	Drawn By: